



Fixed Mount Barcode Scanner F45-21

Feature

- **Core Technology**
Adopt the self-developed core decoding technology, with excellent decoding capabilities for 1D/2D.
- **Snappy On-Screen Barcode**
The engine excels at reading on-screen barcodes even when the screen is covered with protective film or set to its lowest brightness level.
- **Special Design for kiosks**
Embedded housing design, specially designed for all kinds of self-service terminals.
- **Multiple Interfaces**
To provide USB or TTL-232 or RS-232(need customization) interface, to meet different interface requests.

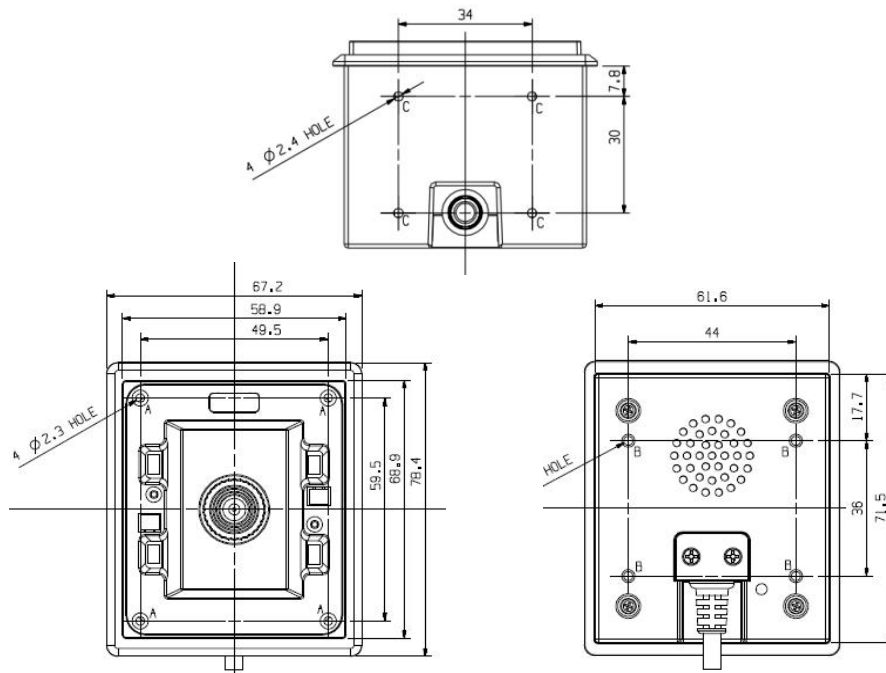
Scenarios:

AFC, Express delivery cabinet, ticket vending/verifying terminal, display kiosk and any other self-service terminals

F45-21/Fixed Mount Barcode Scanner

Performance	Image Sensor	640H*480V		
	Illumination	White LED		
	Aiming	Red LED (625nm)		
	Symbologies	2D	PDF417, Data Matrix, QR Code, Micro QR Code	
		1D	Code 128, EAN-13, EAN-8, Code 39, UPC-A, UPC-E, Codabar, Interleaved 2 of 5, ITF-6, ITF-14, ISBN, Code 93, UCC/EAN-128, GS1 Databar, Matrix 2 of 5, Code 11, Industrial 25, Standard 25, ISSN, Plessey, MSI-Plessey, AIM 128	
	Precision*	≥3mil (Code 128)		
	Typical Depth of View*	1D EAN13	5mil	50-160mm
			13mil	50-260mm
		2D QR Code	15mil	30-170mm
			30mil	50-270mm
	Sensitivities**	Pitch	±60°(QR 30 mil)	
		Tilt	360°	
		Skew	±60°(QR 30 mil)	
Field Angle	Horizontal 68° Vertical 51° Diagonal 84.8°			
Symbol Contrast*	≥20% (Code 128)			
Mechanical /Electrical	Interface	USB, TTL232, RS232 (optional)		
	Connection	2m USB cable or 2m RS232 cable (USB power On)		
	Size(mm)	78.4*67.2*53.2 (mm) (Max size)		
	Weight	185.9g (with 2m USB cable)		
	Operation Voltage	5.0 VDC±5%		
	Current	Operation	362mA	
		Standby	36mA	
Environmental	Operation Temperature	-20°C~+55°C		
	Storage Temperature	-40°C~+70°C		
	Operation Humidity	5%~95% (non-condensing)		
	Illumination	0~100,000LUX		
Certification	FCC Part15 Class B, CE EMC Class B, RoHS2.0, IEC62471			

Size



Contact:

Shenzhen Edoo-IoT Technology Co., Ltd.

Tel: +86-135-3782-5290(WeChat)

Website: www.edoo-iot.com

Add: Room 302, Bldg U6, U8 Intelligent Manufacturing Park, Hancheng Blvd, Gushu, Xixiang, Bao'an District, Shenzhen

