



Fixed Mount Barcode Scanner F40-35

Feature

- **Outstanding 1D/2D Code Reading Capability**

Adopt the self-developed core decoding technology, with excellent decoding capabilities for various amounts of film 1D/2D barcode on screen or paper.

- **Self-exposure Control**

Sensor of barcode scanner can automatically adjust light brightness according to reflected light.

- **Multiple Modes Optional**

It can quickly and precisely read on-screen code or paper code or filmed code

- **Clear laser aimer (optional)**

The scanner adopts laser cross aiming mode, which can clearly aim at the target barcode even in direct sunlight

Resistance to 1.5m drop

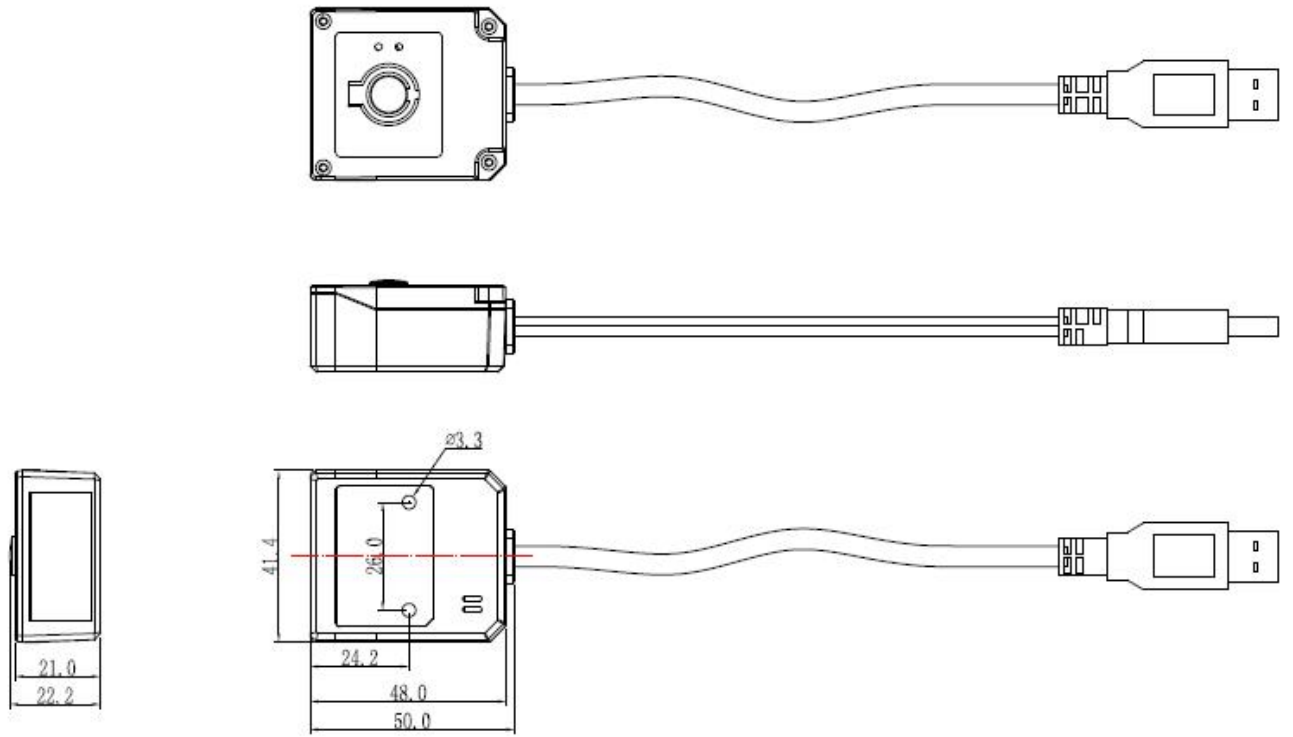
Not less than 1.5m drop with 6 sides(one time per side)

Scenarios

Self-service kiosks used in e-commerce, express delivery services, access control, mobile payment, events ticket redemption, gaming cash outs, postal services, transport boarding passes, parking ticket machines, production line.

F40-35/Fixed Mount Barcode Scanner

Performance	Image sensor	1280×800	Mega-pixel CMOS sensor	
	Illumination		Warm white light LED	
	Focus		Red laser 650nm	
	Symbologies	2D	PDF417, QR Code, Data Matrix, Han letter code, Micro PDF417, GM Code, Micro QR, Code One, etc.	
		1D	Code 128, EAN-13, EAN-8, Code 39, UPC-A, UPC-E, Codabar, Interleaved 2 of 5, ITF-6, ITF-14, ISBN, ISSN, Code 93, UCC/EAN-128, GS1 Databar, Matrix 2 of 5, Code 11, Industrial 2 of 5, Standard 2 of 5, AIM128, Plessey, MSI-Plessey	
	Scanning precision*		≥3mil	
	Scanning depth of field*	EAN-13 (13mil)	70mm~500mm(Typical)	
		PDF417 (6.7mil)	70mm~225mm	
		Code39 (5mil)	90mm~265mm	
		Data Matrix (10mil)	65mm~215mm	
		QR Code (15mil)	40mm~295mm	
	Symbol Contrast*		≥25%	
	Scanning sensitivity**		skew±60°, pitch±60°, roll 360°	
Field of View		Horizontal 42°, vertical 28°		
Mechanic	Communication Interface	USB or RS232 (Optional)		
	Size(mm)	41.2(W)×47.8(D)×21.5(H)		
	Weight	70g		
Electrical	Operating voltage	5.0 VDC±5%		
	Rated power	888mW(typical value)		
	Current	Operating Current	269mA(typical value), 399mA(max value)	
		Idle Current	<70mA	
		Sleeping Current	<1mA	
Environmental	Operating temperature	-20℃~+55℃		
	Storage temperature	-40℃~+70℃		
	Operating humidity	5%~95% (no condensing)		
	Illumination	0~100,000LUX		
Certifications		FCC Part15 Class B,CE EMC Class B, RoHS2.0, IEC62471		



Contact:

Shenzhen Edoo-IoT Technology Co., Ltd.

Tel: +86-135-3782-5290(WeChat)

Website: www.edoo-iot.com

Add: Room 302, Bldg U6, U8 Intelligent Manufacturing Park, Hancheng Blvd, Gushu, Xixiang, Bao'an District, Shenzhen